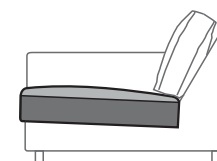
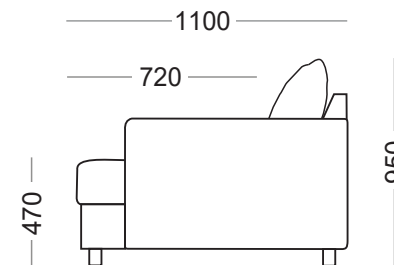
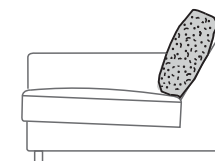


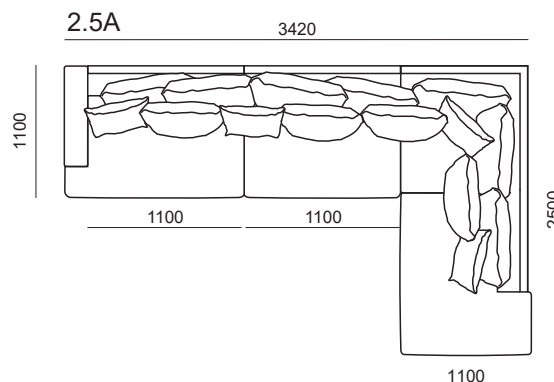
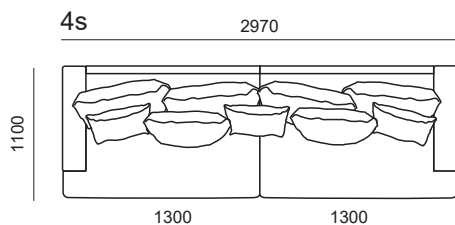
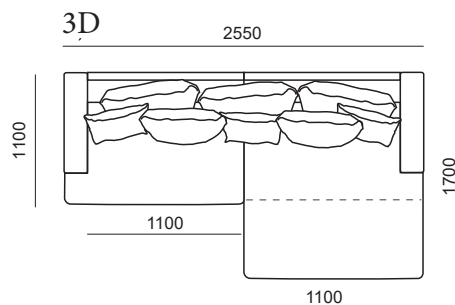
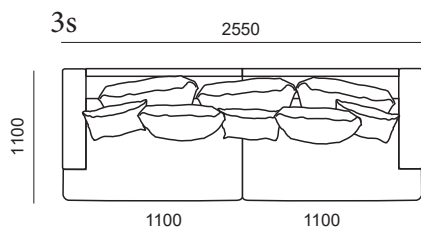
# COSMO



Seat cushions:  
HR soft foam (35kg/m<sup>3</sup>) +  
Fiber balls / spaghetti foam



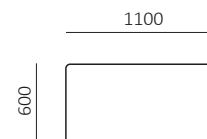
Back cushions:  
Fiber balls / spaghetti foam



Legs: Nr.17 Wooden



Footstool



Wenge



MORA

0250-10765